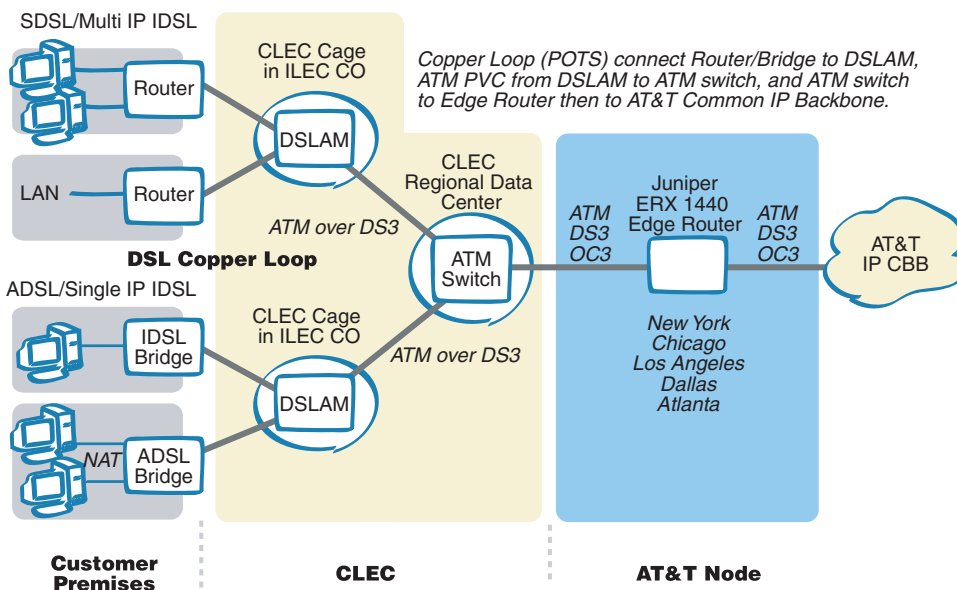


Upgrade to High-speed, High-bandwidth Internet Access at Competitive Prices

AT&T Business DSL Internet Service offers broadband access over AT&T's reliable and extensive IP backbone.

As your business grows, so does your need to connect to the Internet quickly and efficiently, to gather and convey information, as well as to communicate and provide a direct link to your business partners. As your use of the Internet expands, and the demands on your business increase, DSL (Digital Subscriber Line) technology will provide you with a fast, dedicated connection to the Internet.



DSL Business IP Network Architecture

This high-speed access connection is "dedicated," always available; there's never a busy signal. DSL is able to give your business high-bandwidth Internet access at a fraction of the cost of TI-based access. That's because DSL dramatically reduces the circuit access charges and allows for traffic aggregation across a large number of customers. Internet access is included in one low monthly service charge.

Benefits

- Boosts your connection speeds up to 50 times faster than 28.8 Kbps analog modems to enable broadband applications such as email, VoIP, video, web search and file transfers
- Nationwide coverage in 7,000 locations
- Provides high-speed remote access to your WAN environment, including connections to intranets
- Allows you to perform robust virtual private networking
- Provides you the economic advantage of low monthly fee with no separate LEC charges
- Convenience of "Always On" high-speed access keeps you connected on a simple copper pair
- Presents a fully-managed solution that incorporates a single point-of-contact, ease of installation and ongoing 24x7x365 support to meet your servicing needs

AT&T DSL Internet Service offers a range of DSL managed solutions – in most DSL versions – to meet a variety of needs, from the small business with a handful of employees to the large corporation that's connecting telecommuters and branch offices.

Counting the DSL Benefits

AT&T offers DSL Internet Service in most major metropolitan areas nationwide, making the service readily available as a lower-priced, high-bandwidth Internet access option. That means a cost-effective investment that can bring your users access speeds from 144 Kbps to 3.0 Mbps – as much as 50 times faster than 28.8 modems and 25 times faster than 56 Kbps modems.

You can benefit from AT&T DSL Internet Service if you operate:

- A small business, remote or home office using analog dial Internet access and need higher bandwidth – but can't justify the higher cost of ISDN or private-line access
- A small to mid-size business running 56 Kbps private-line or ISDN Internet access
- A medium or large business with fractional T1 Internet access

You can e-mail, research on the web, stream audio and video, connect to intranets, transfer large amounts of data, and perform many other tasks only capable through high speed Internet access. You may also choose to provide and manage Voice over IP (VoIP) over AT&T Business DSL.

No matter what size business you run, AT&T can handle installation of the DSL router on your premises, provision the service and provide ongoing maintenance. AT&T DSL Internet Service provides you with an end-to-end solution, with one bill and one point-of-contact.

Managing the DSL Service

Once your DSL service is up and running, you'll receive support from AT&T. That supplies you with one-call, toll-free support for trouble-reporting, billing inquiries, changing bandwidth, technical questions about your service capabilities and any other life-cycle management queries.

Bringing Business Services Right to Your Business

AT&T DSL Internet Service further expands our already impressive breadth of business services, while it deepens our commitment to bringing you local broadband access technologies at competitive prices. It provides an extremely efficient means for businesses, particularly growing businesses, to take advantage of high-speed Internet access without the

Features

- **Twenty Free Hours** – AT&T provides twenty (20) free hours of AT&T Business Internet Dial Service with every AT&T Business DSL line
- **Robust IP Backbone** – traffic rides over the AT&T IP Backbone, which consists of Coast-to-Coast OC 192 circuits
- **National Coverage** – AT&T Business DSL Internet Service is available in over 8,700 Central Offices across the domestic United States
- **Voice over IP (VoIP)** – provides a low cost access solution for Voice services in a small business environment
- **Premium Customer Care** – AT&T DSL Customer Care is available 24 hours a day, 7 days a week, 365 days a year during for both provisioning and maintenance issues
- **End -to-End Ordering** – enables customers one-stop shopping. AT&T will even arrange for IDSL/SDSL loop installation by the ILEC
- **Service Level Agreement** – AT&T offers limited guarantees to all AT&T Business DSL lines for on-time provisioning, service availability, IP backbone delay and backbone packet loss

high costs. And it opens an easy evolutionary path to other broadband services that can result in even more exciting business growth.

At the same time, DSL Internet Service allows you to leverage the infrastructure, scale and reliability of the AT&T network and the expertise and experience of AT&T – so you can concentrate on the growth of your business.

For more information, contact your AT&T
Representative, or visit www.att.com/business.



The world's networking companySM